

Current part is item (12) on diagram. Available at www.oshkoshequipment.com

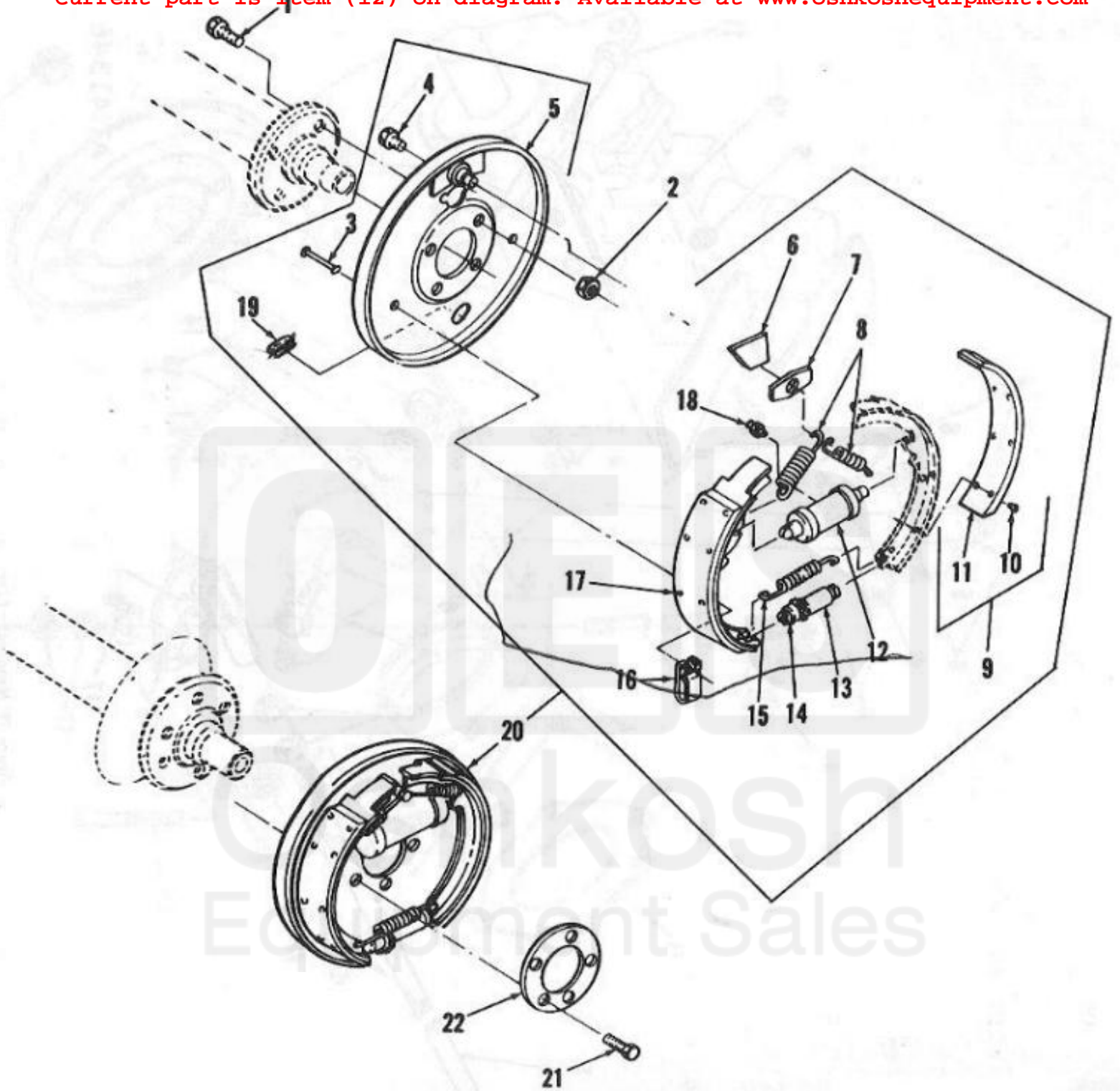


Figure 80: Brake Assemblies and Mounting Parts

Note: Some items pictured are not in this group. See table below to find correct group.

ITEM	GROUP
4, 12, 18	1204

				(6) 30-day DS maint. allowance	(7) 30-day GS maint. allowance			(10) Illustration
--	--	--	--	---	---	--	--	----------------------

Current part is item (12) on diagram. Available at www.oshkoshequipment.com

PO	5305-407-3738	SCREW ASSEMBLED WASHER WHEEL CYLINDER MOUNTING 99-92475-100 (63477)	EA	8	*	*	*	*	*	*			80	4
POR	2530-933-3584	CYLINDER ASSEMBLY, LEFT WHEEL 11640755-1 (19207)	EA	2	*	*	*	*	*	*			80	12
POR	2530-927-3316	CYLINDER ASSEMBLY, RIGHT WHEEL 11640755-2 (19207)	EA	2	*	*	*	*	*	*			80	12
PO	4820-477-6174	SCREW, BLEEDER, WHEEL CYLINDER 945755 (65909)	EA	4	*	*	*	*	*	*			80	18
PF	2530-933-3575	KIT, WHEEL CYLINDER 5704429 (19207)	EA	4	*	*	*	*	*	*				
		COMPOSED OF:												
X1		2-CUP, WHEEL CYLINDER FC1219 (63477)												
X1		2-BOOT, WHEEL CYLINDER FC2937 (63477)												
PO	5305-269-3212	SCREW, CAP, MASTER CYLINDER MOUNTING MS90725-61 (96906)	EA	2	*	*	*	*	*	*			81	1
X20		PLATE, MASTER CYLINDER MOUNTING 11657231 (19207)	EA	1	*	*	*	*	*	*			81	2
FOR	2530-125-8726	CYLINDER ASSEMBLY, MASTER 11640970 (19207)	EA	1	*	*	*	*	*	*			81	3
PO	2520-443-8018	BOLT, EYE, PISTON FC32604 (63477)	EA	1	*	*	*	*	*	*			81	4
X1		BODY, MASTER CYLINDER FD59288 (63477)	EA	1									81	10
PO	2520-246-2267	GASKET, FILLER CAP 11656891 (19207)	EA	1	*	*	*	*	*	*			81	11
PO		CAP, FILLER, MASTER CYLINDER 7539310 (19207)	EA	1	*	*	*	*	*	*			81	12

Current part is item (12) on diagram. Available at www.oshkoshequipment.com